

FISHMAN FLUENCE™
HSS Wiring with SSP, SSA, & Classic Bridge Humbucker

Neck: SSP
Single Width Pickup

Middle: SSA
Single Width Pickup

Classic Bridge
Humbucker

+3dB Boost Pads
(top side of PCB)
Bridge with solder
to activate.

9V Battery

(+) (-)

Ring

Sleeve

Output Jack

Tip

Bridge
Ground

HFT
(Not Used)

Volume

25k

25k

Tone
Pull for Bridge Voice-2

.22uF

SSA Pickup - Wire Color Scheme

Red: +9V
White: SSA Coil(s) Out
Yellow: Preamp In
Green: Preamp Out
Blue: 2&4 Position Dual Single Mode (Position 4)
Black: 2&4 HB Tapped + Single Mode (Position 2)
Shield: GND

SSP Pickup

This is a passive pickup used in conjunction with the SSA active pickup and its preamp.

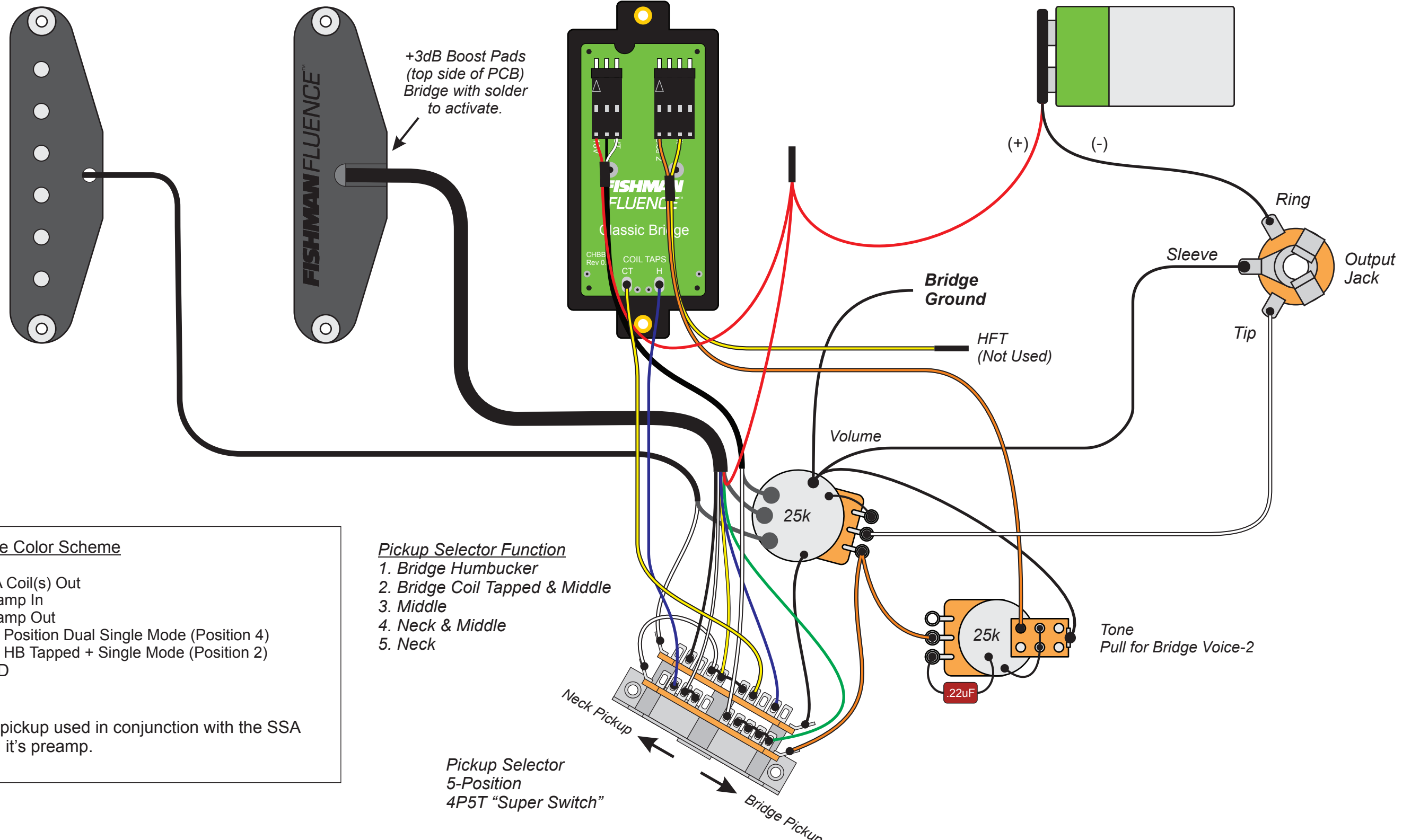
Pickup Selector Function

1. Bridge Humbucker
2. Bridge Coil Tapped & Middle
3. Middle
4. Neck & Middle
5. Neck

Pickup Selector
5-Position
4P5T "Super Switch"

Neck Pickup

Bridge Pickup



FISHMAN FLUENCE™
 HSS Wiring with SSP, SSA, & Classic Bridge Humbucker

Neck: SSP
 Single Width Pickup

Middle: SSA
 Single Width Pickup

Classic Bridge
 Humbucker

9V Battery

+3dB Boost Pads
 (top side of PCB)
 Bridge with solder
 to activate.

SSA Pickup - Wire Color Scheme

Red: +9V
 White: SSA Coil(s) Out
 Yellow: Preamp In
 Green: Preamp Out
 Blue: 2&4 Position Dual Single Mode (Position 4)
 Black: 2&4 HB Tapped + Single Mode (Position 2)
 Shield: GND

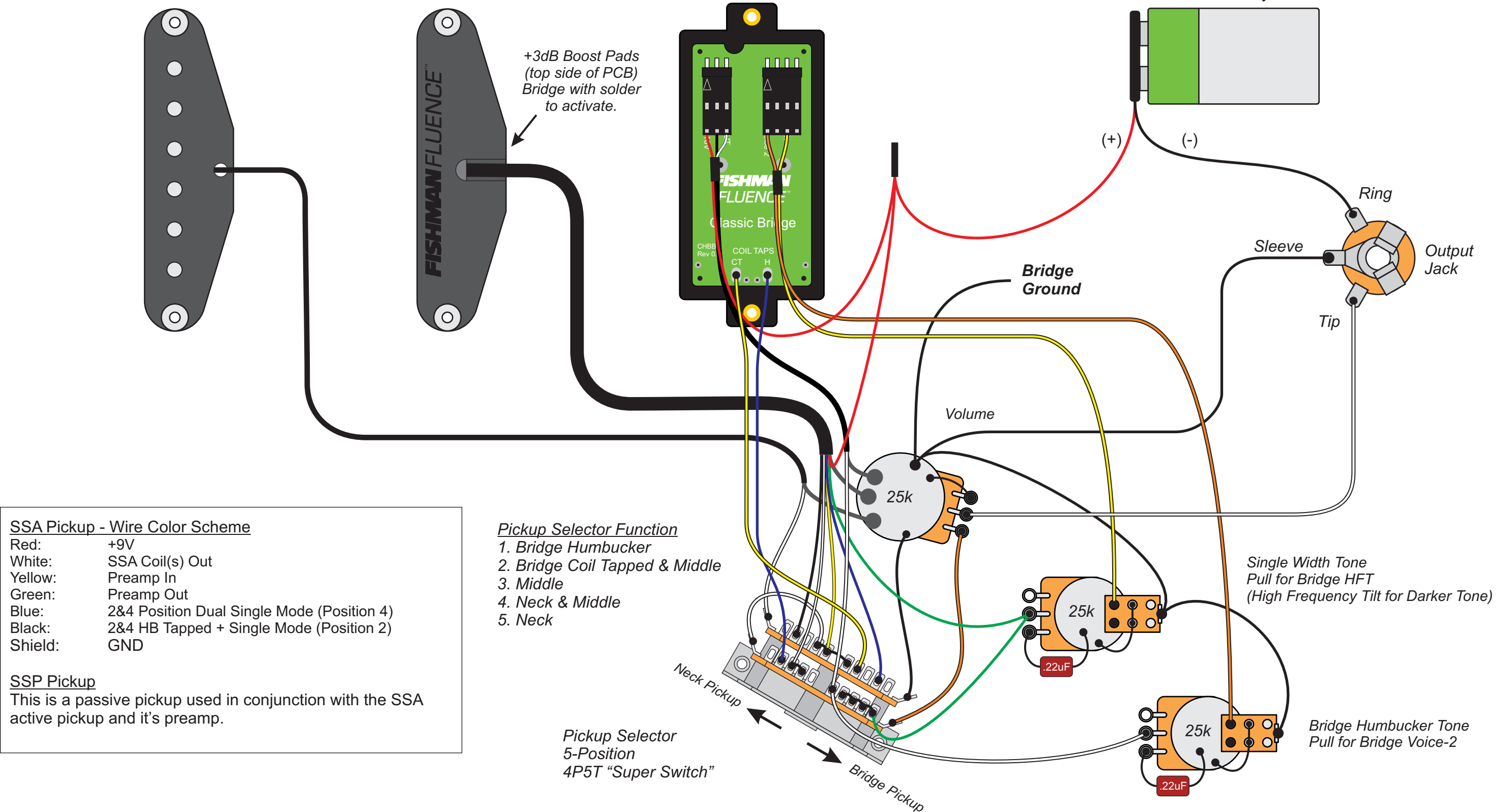
SSP Pickup

This is a passive pickup used in conjunction with the SSA active pickup and its preamp.

Pickup Selector Function

1. Bridge Humbucker
2. Bridge Coil Tapped & Middle
3. Middle
4. Neck & Middle
5. Neck

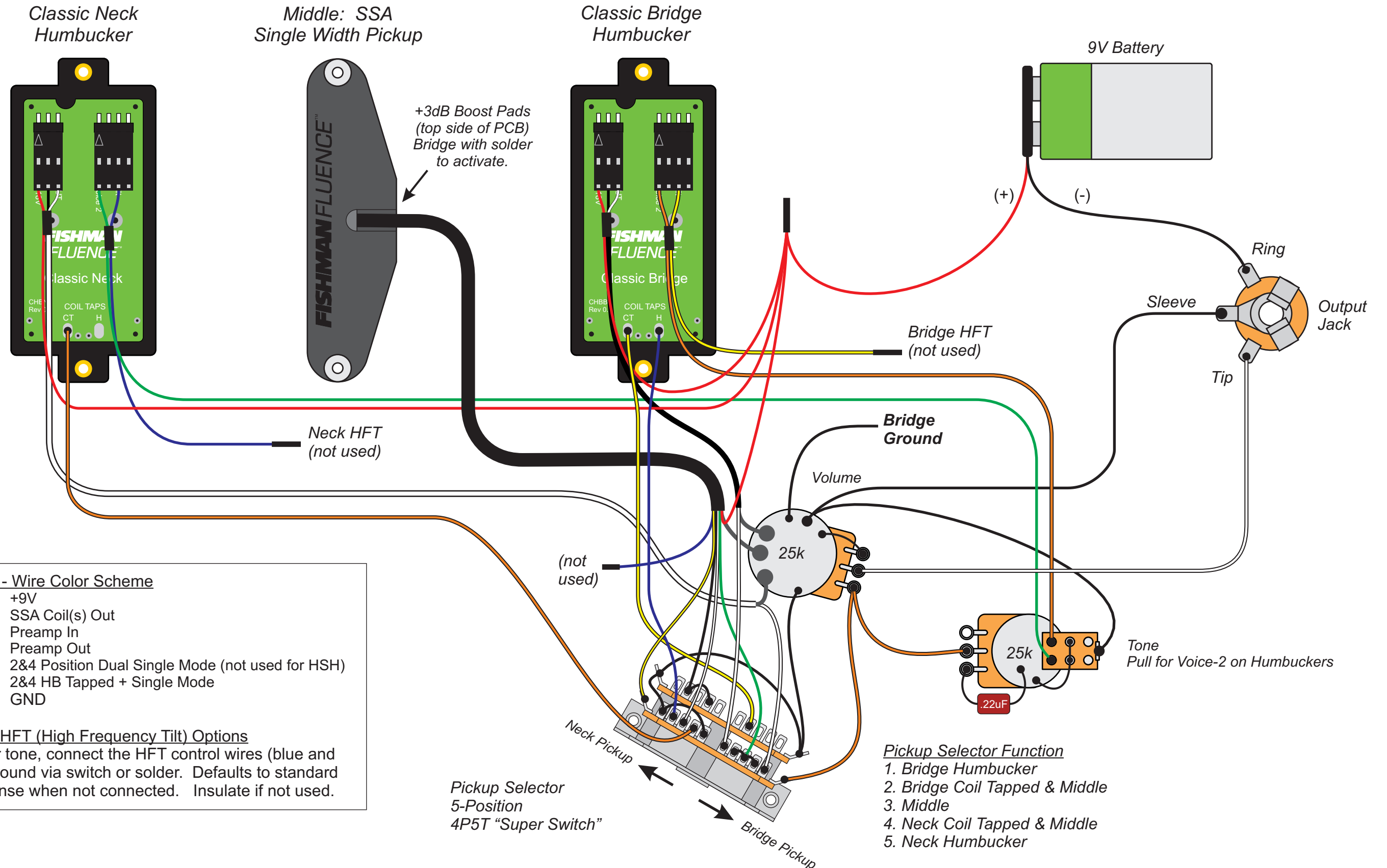
Pickup Selector
 5-Position
 4P5T "Super Switch"



Single Width Tone
 Pull for Bridge HFT
 (High Frequency Tilt for Darker Tone)

Bridge Humbucker Tone
 Pull for Bridge Voice-2

FISHMAN FLUENCE™
 HSH Wiring with SSA Pickup & Classic Humbucker Set



SSA Pickup - Wire Color Scheme
 Red: +9V
 White: SSA Coil(s) Out
 Yellow: Preamp In
 Green: Preamp Out
 Blue: 2&4 Position Dual Single Mode (not used for HSH)
 Black: 2&4 HB Tapped + Single Mode
 Shield: GND

Humbucker HFT (High Frequency Tilt) Options
 For a darker tone, connect the HFT control wires (blue and yellow) to ground via switch or solder. Defaults to standard treble response when not connected. Insulate if not used.

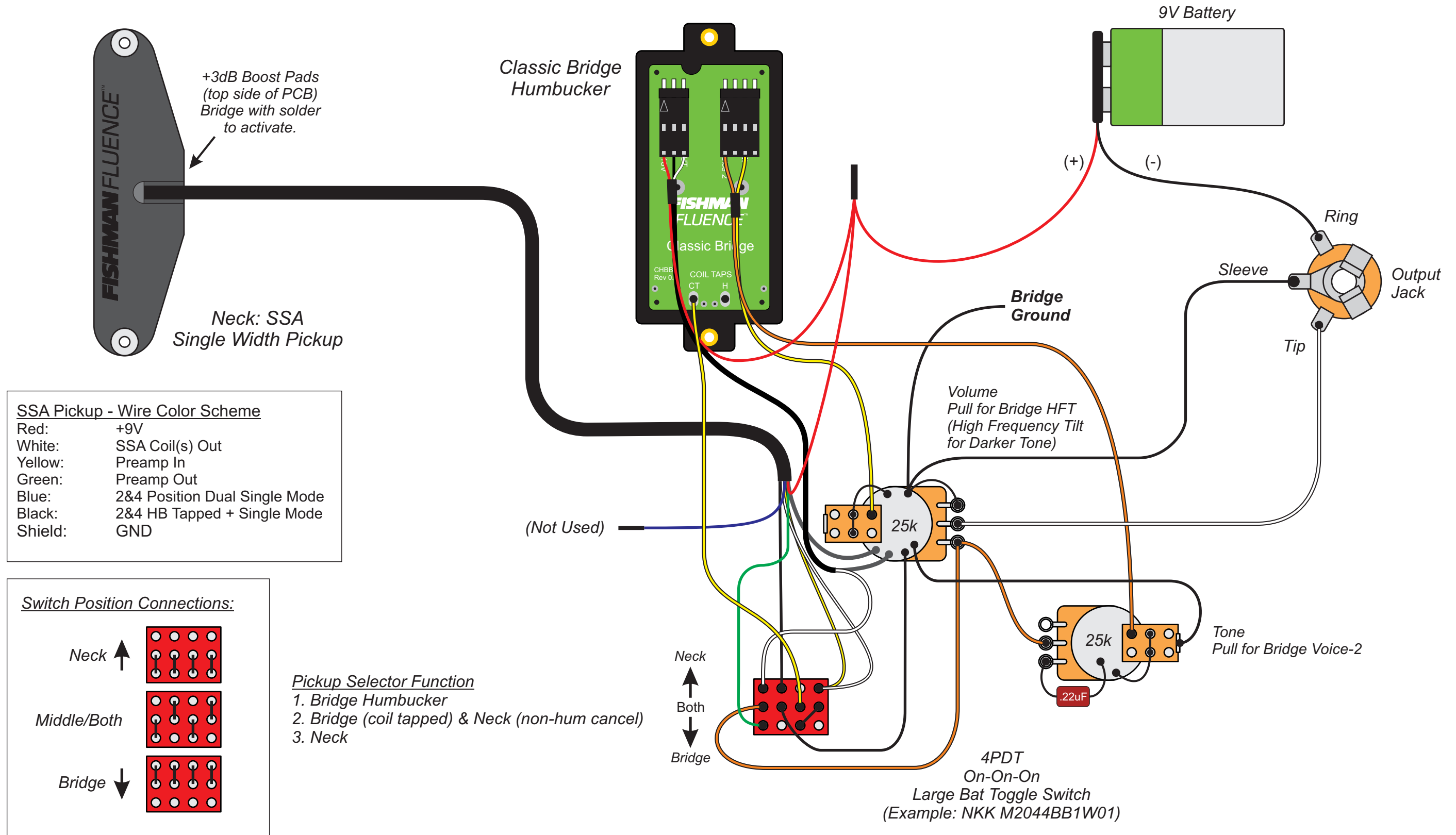
Pickup Selector Function
 1. Bridge Humbucker
 2. Bridge Coil Tapped & Middle
 3. Middle
 4. Neck Coil Tapped & Middle
 5. Neck Humbucker

FISHMAN FLUENCE™

HS Wiring with SSA Pickup & Classic Bridge Humbucker Rev1

06/12/17

Note: Middle Pickup Selector Position is non hum cancelling.



FISHMAN FLUENCE™
 Killswitch Engage - Signature Humbucker
 HSS Wiring with SSA & SSP Single Width Pickups

Neck: SSP
 Single Width Pickup

Middle: SSA
 Single Width Pickup

Bridge: Ceramic
 (or Alnico if preferred)

9V Battery

+3dB Boost Pads
 (top side of PCB)
 Bridge with solder
 to activate.

SSA Pickup - Wire Color Scheme

- Red: +9V
- White: SSA Coil(s) Out
- Yellow: Preamp In
- Green: Preamp Out
- Blue: 2&4 Position Dual Single Mode (Position 4)
- Black: 2&4 HB Tapped + Single Mode (Position 2)
- Shield: GND

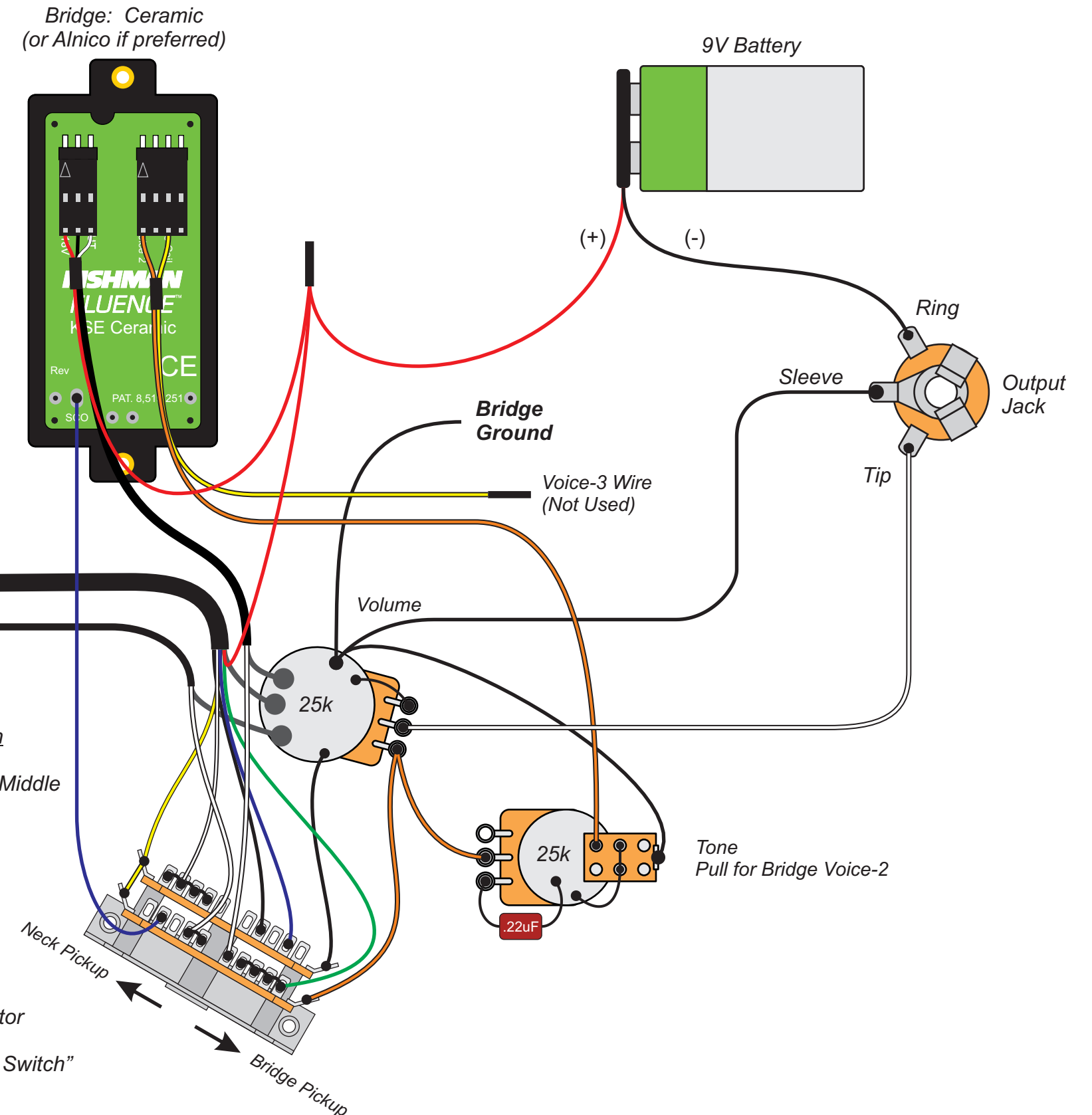
SSP Pickup

This is a passive pickup used in conjunction with the SSA active pickup and its preamp.

Pickup Selector Function

1. Bridge Humbucker
2. Bridge Coil Tapped & Middle
3. Middle
4. Neck & Middle
5. Neck

Pickup Selector
 5-Position
 4P5T "Super Switch"



Bridge
 Ground

Voice-3 Wire
 (Not Used)

Volume

25k

25k

.22uF

Tone
 Pull for Bridge Voice-2

Neck Pickup

Bridge Pickup

Output
 Jack

Tip

Sleeve

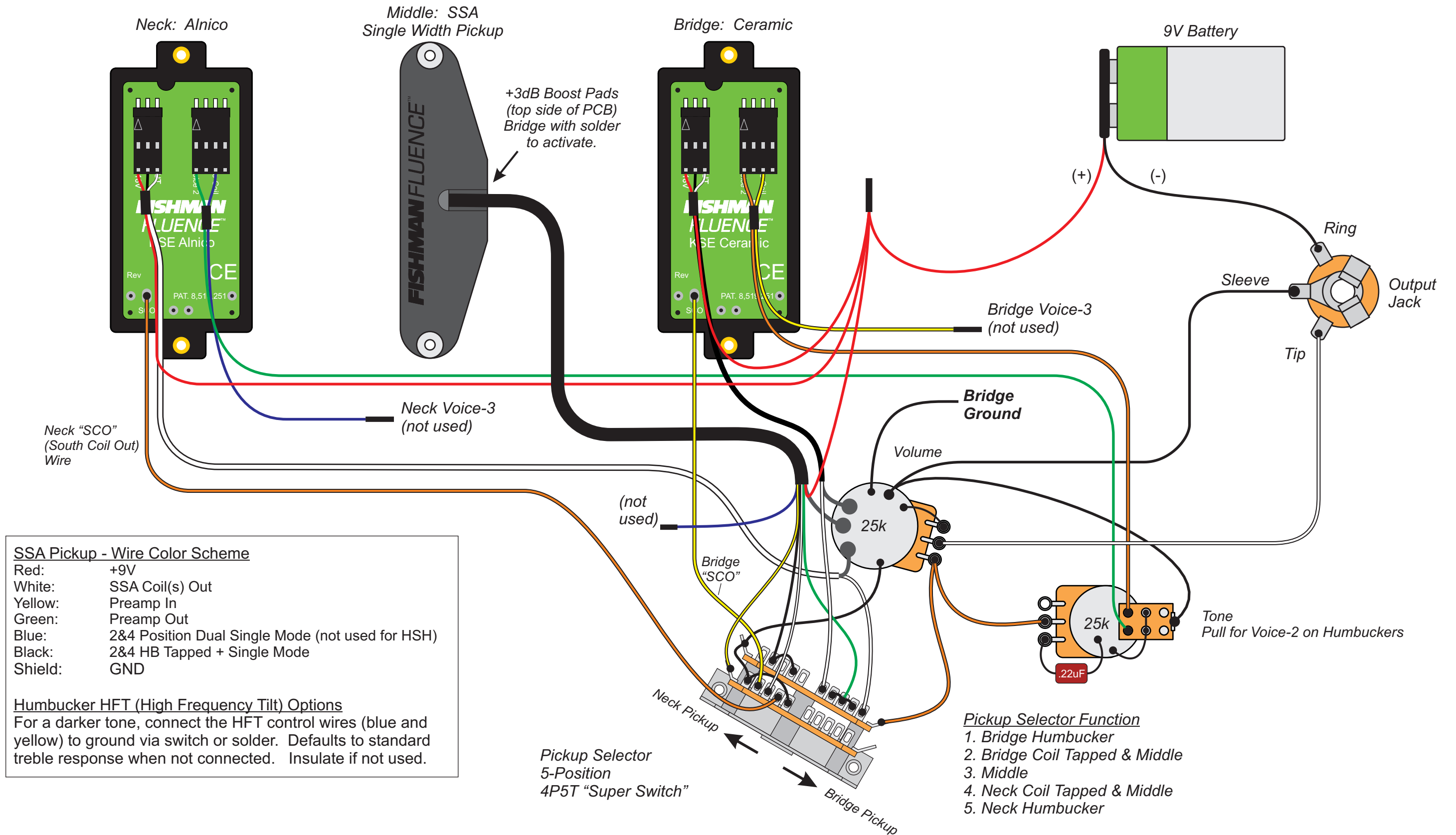
Ring

(+)

(-)

FISHMAN FLUENCE™

Killswitch Engage - Signature Humbucker Set
 HSH Wiring with SSA Single Width Pickup



SSA Pickup - Wire Color Scheme

Red:	+9V
White:	SSA Coil(s) Out
Yellow:	Preamp In
Green:	Preamp Out
Blue:	2&4 Position Dual Single Mode (not used for HSH)
Black:	2&4 HB Tapped + Single Mode
Shield:	GND

Humbucker HFT (High Frequency Tilt) Options
 For a darker tone, connect the HFT control wires (blue and yellow) to ground via switch or solder. Defaults to standard treble response when not connected. Insulate if not used.

- Pickup Selector Function**
1. Bridge Humbucker
 2. Bridge Coil Tapped & Middle
 3. Middle
 4. Neck Coil Tapped & Middle
 5. Neck Humbucker